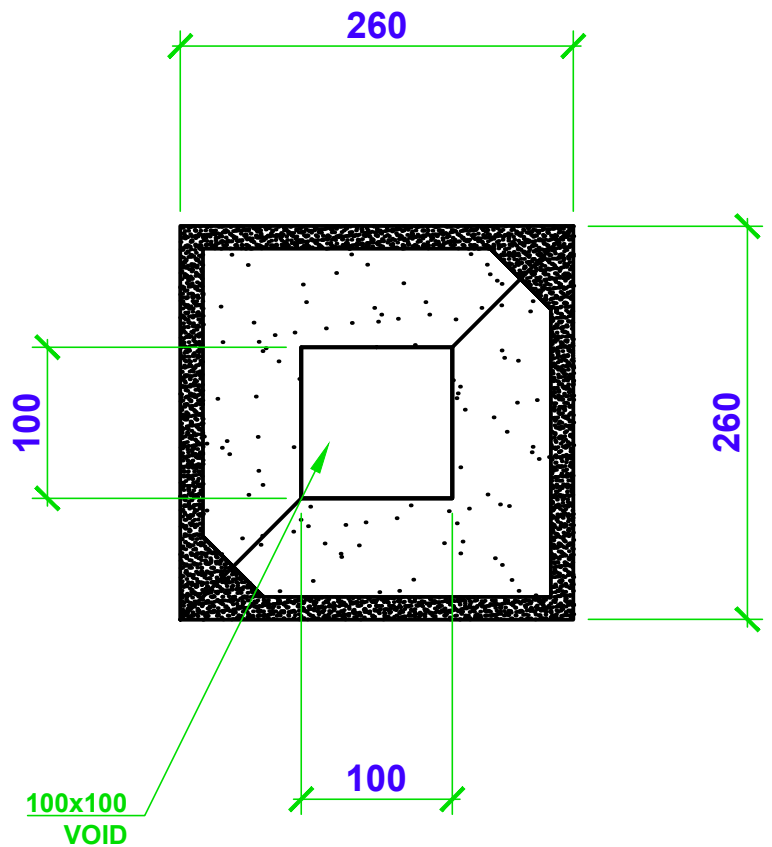


SCALE 1:16



SCALE 1:5

CUSTOMER:

O/N:

DWG NO

#CSQR260

DRAWN BY:

ROMAN MELNYCHUK

DATE:

01/07/2014

SCALE

1:16/1:5

**Unitex**<sup>®</sup>