

Any design, any profile

UNI-SHAPE ARCHITECTURAL  
PROFILES AND COLUMNS

**Unitex**<sup>®</sup>

YOUR WALLS  
OUR PRIDE

## UNITEX® UNI-SHAPE ARCHITECTURAL PROFILES AND COLUMNS

Unitex® is the original Architectural Profile and Column manufacturer in Australia. And has been instrumental in providing Architects and Building Designers with quality façade design choices and innovation for over 25 years.

### Why choose Unitex® Architectural Profiles and Columns?

- Products are lightweight and can be installed to all modern surfaces as well as masonry
- Easy installation - suitable for Builders and Carpenters (i.e. mechanical and edge sealing etc)
- Custom-designed and features made to order
- Drawing and product design service
- Cost effective solution for heritage, renovation and also new projects
- Comprehensive Unitex installation manuals

### Designers and Architects

- Complete range of Architectural façade and Columns
- Custom design and manufacture
- Samples of custom designs and stock products for your clients' approval
- Specialty designed to suit non-standard surfaces
- Longevity and durability (lightweight cement based mouldings will last the life of your building)
- In-house shop drawings and CAD drawings on request
- Suitable for heritage building projects
- Architectural representative available for all your enquiries

### Builders

- Plan estimation and quoting service
- In-situ applied samples for approval prior to manufacture
- Site technical service to aid installers in specified procedures.
- Complete range of Architectural and Columns to suit all surfaces and designs
- Extensive applicator network
- Comprehensive Unitex installation manuals for correct cutting, drilling and installation
- Complete product range for correct installation (Packers, Fixings, Mastic, Backing material etc.)
- Complete colour range of Unitex® Protective Top Coat (PTC)
- Complete render, texture and protective surface coating/paint system from one supplier for surrounding wall surfaces
- Insulating and high-build renders also available for surface levelling
- One warranty for complete system signed by Applicator and Unitex®
- Technical site service to aid in selection of appropriate Unitex® products for in-situ substrates

### New Homeowner and Renovator

- Reputation - found on Australia's most exclusive and detailed projects
- Appearance - add appeal and value to your new home or renovation
- Recommendations of experienced Applicators of Unitex product range for your project
- On-site quotation service
- Samples
- Unitex® product and Applicator installation warranty for peace of mind
- Unitex® Sales & Customer Care staff are available for technical enquiries
- Reliability - 30 year defect-free product manufacturing history

Unitex® recognise that fashions change and colour schemes evolve constantly. So systems and products can be readily updated and almost any colour matched.

### Who is Unitex®?

Unitex® is proudly an Australian manufacturer, utilising local technology with our own in-house chemists, designing innovative products suitable for the Australian market. A family owned business, with the founding directors continuing to lead the company with innovative product lines.

Unitex® is considered by Australia wide industry experts as the premier product coatings system for external façades. This has been achieved by a 30 year history of coatings, mouldings and insulation cladding (EIFS) for award winning commercial and housing projects nation wide.

Our customers value the technical on-site expertise of our in-house trained Technical Sales staff. Along with over 50 years knowledge and hands-on experience from the senior team, this know-how assures our customers of guaranteed class quality and service across the entire Unitex® range.

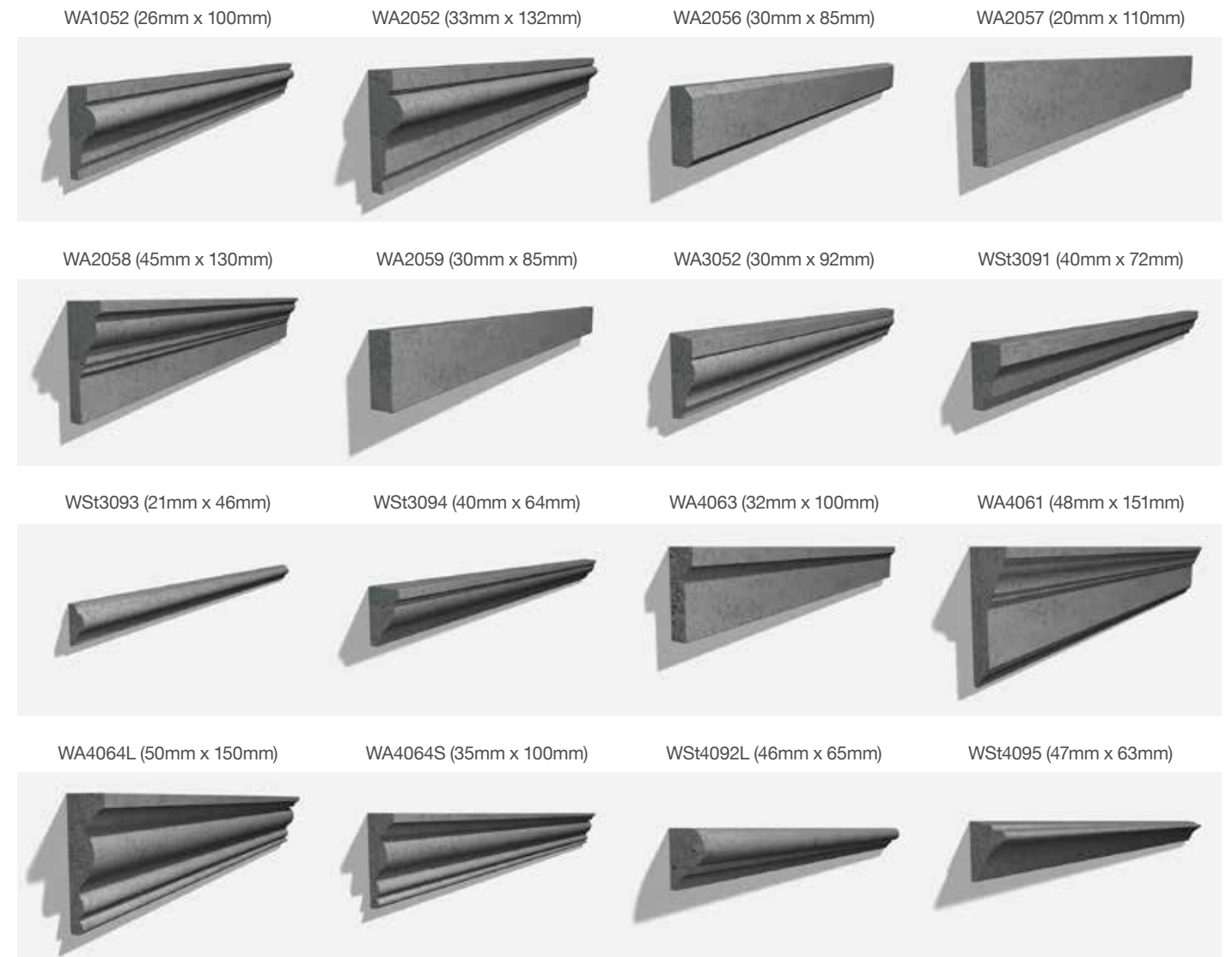


## Uni-Shape Window Mouldings – Overview

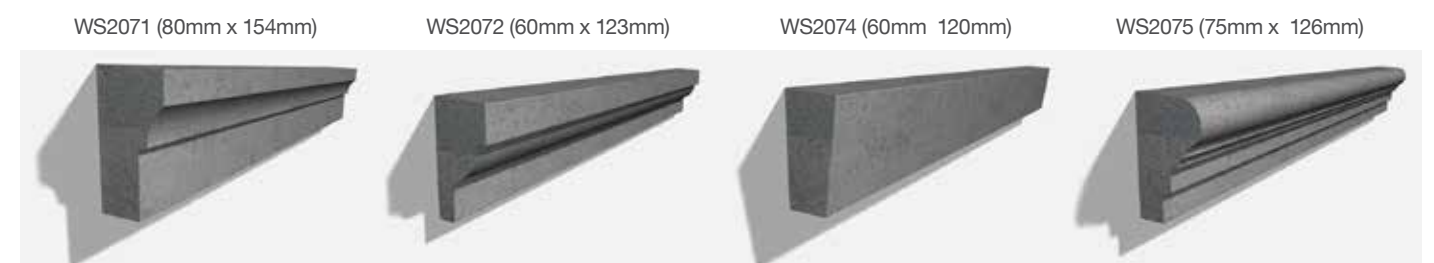
Uni-shape exterior Architectural profiles are made either solid or with a lightweight centre with a reinforced coating of pure resins and cementitious mineral components. Lightweight, factory made to offer our customers quality shapes to be of a superior finish and durability, and allow quick and easy installation.

Uni-Shape Window Profiles come in a light-grey cement colour and are acceptable as masonry features. They are to be surface coloured with Unitex® Uni-PTC to suit decorative specifications.

Below are our standard Uni-Shape Window Mouldings. Unitex® also provide custom designed, or bespoke, sizes and shapes to meet customer needs.



## Uni-Shape Window Sills

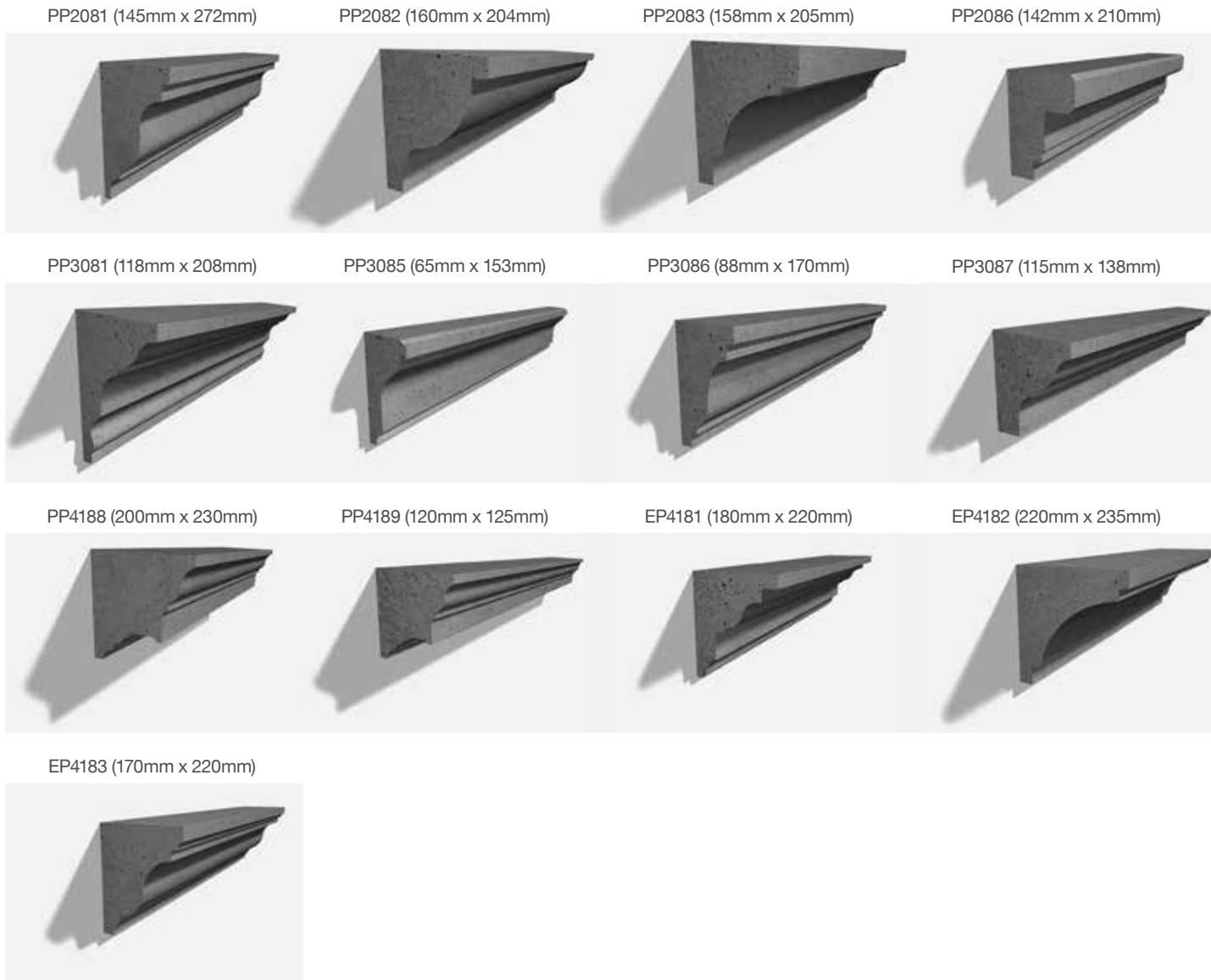




## Uni-Shape Parapet Mouldings – Overview

Uni-Shape Parapet Mouldings come in a light-grey cement colour and are acceptable as masonry features. They are to be surface coloured with Unitex® Uni-PTC to suit decorative specifications.

Below are our standard Uni-Shape Parapet Mouldings. Unitex® also provide custom designed, or bespoke, sizes and shapes to meet customer needs.

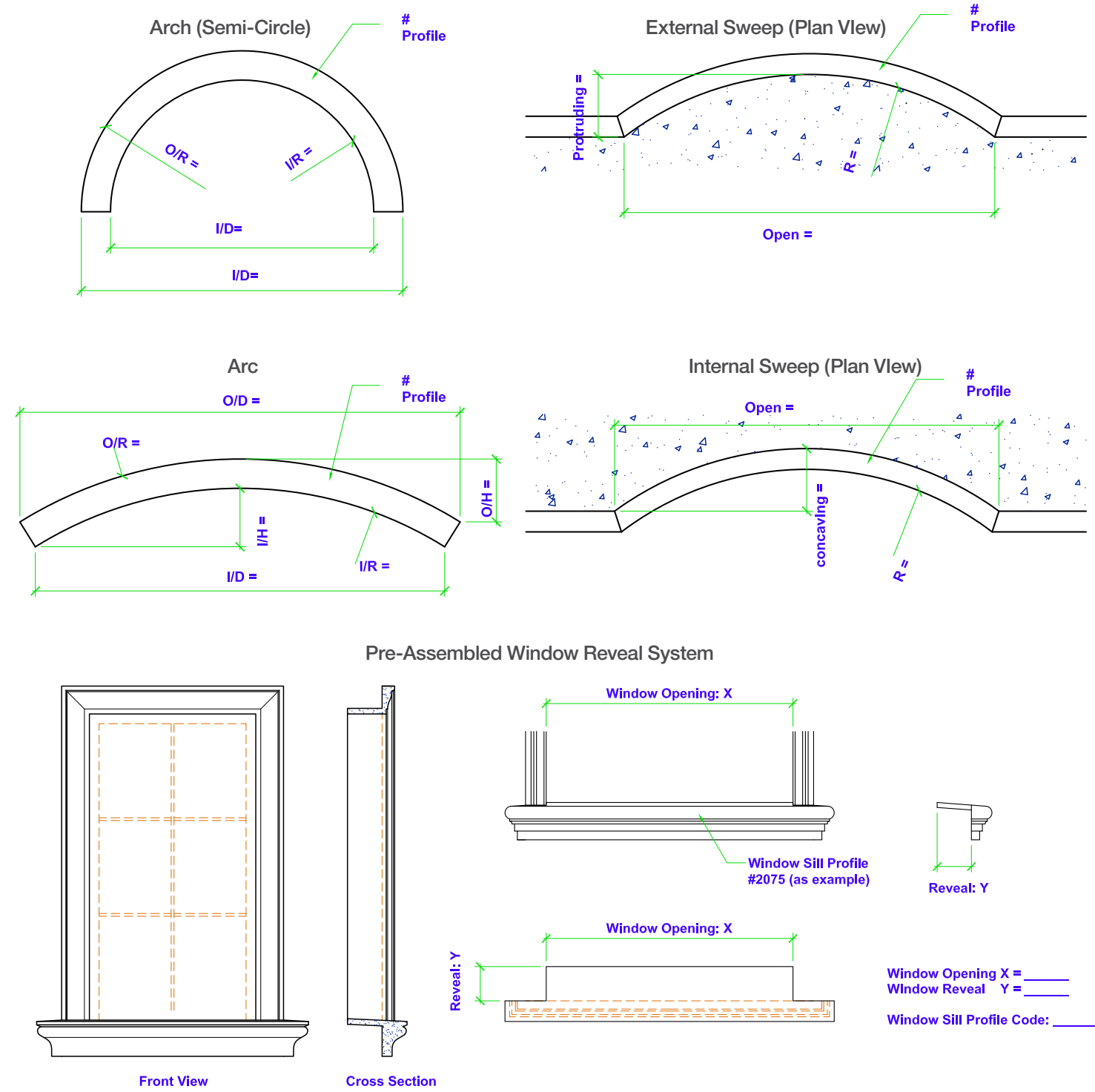


## COMMERCIAL PARAPETS



## Custom-made or bespoke Arches, Arc's, Sweeps, and Window Sills with reveal

As the Australian market leader in bespoke architectural profiles and columns, Unitex® offers you a simple guide (below) for how to measure and order these popular and highly sought after decorative features. Using this guide, carry out your site measure by simply filling in the blanks and email this with your request for quotation, or order, to Unitex® (sales@unitex.com.au).

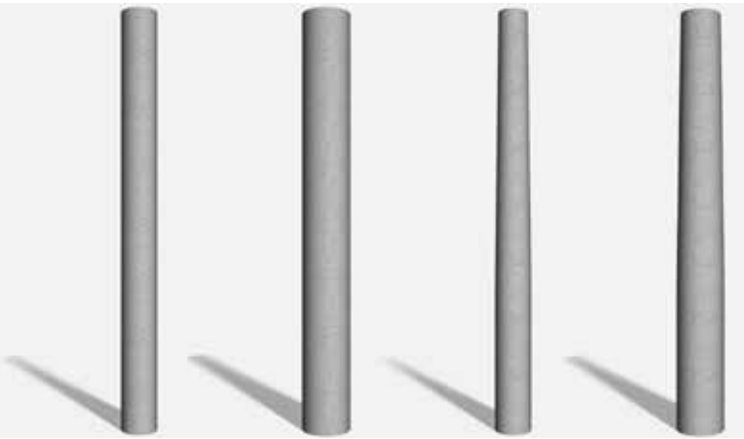


Note: For best result, also measure off onto a template and send to Unitex as further confirmation. As site situations can vary from plans. Templates can be fully cut and prepared from plywood, or measured on cardboard, and/or waterproof paper. Unitex will only manufacture from your provided measurements and templates.

## Standard and bespoke Columns, Quoins, Wall & Fence features

Unitex® Columns, Fencing and Wall Features are non-load bearing. Easy to assemble with all installation tools and accessories available at Unitex®. The drawings below are just some of our Standard range. For a more comprehensive list, go online to [www.unitex.com.au](http://www.unitex.com.au).

260 Straight Column    350 Straight Column    260 Tapered Column    350 Tapered Column



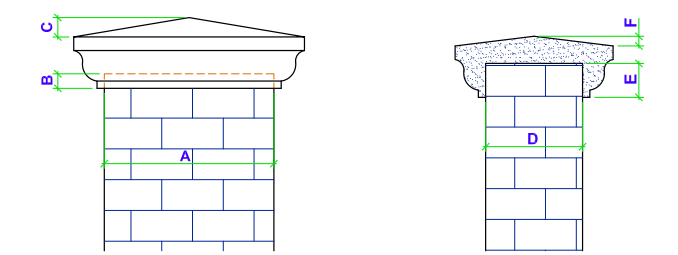
655 Baluster



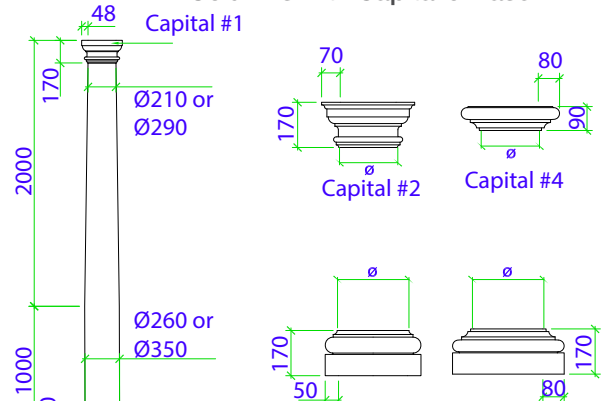
590 Baluster



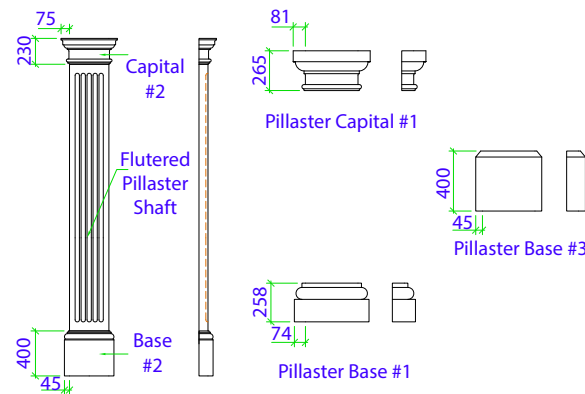
Unitex Pier Cap & Fence Capping  
Pier cap to suit Square or Rectangular Piers    Fence Capping to suit Fence Width



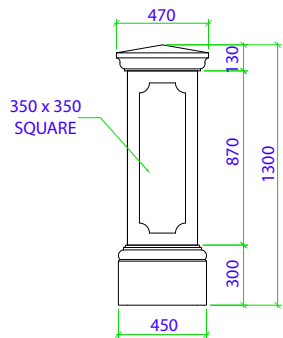
Columns with Capital & Base



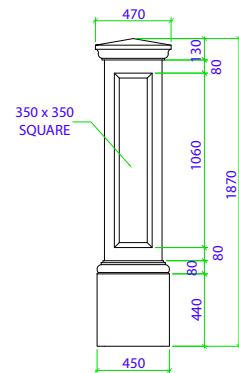
Pilasters with Capital & Plynth



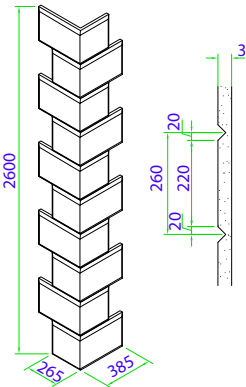
Fence Pier FP1300



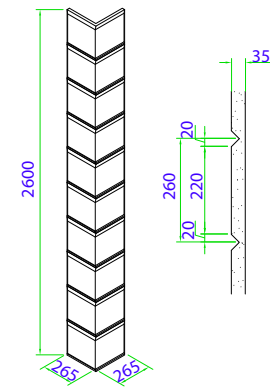
Fence Pier FP1870



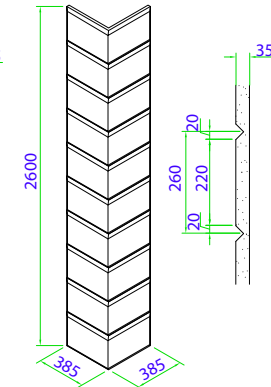
Quoin QOS 385



Quoin QS 265



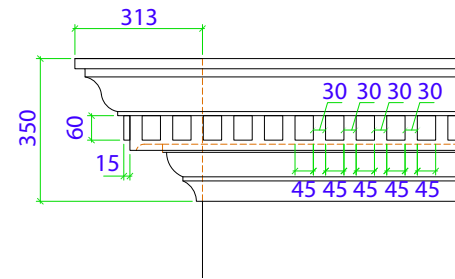
Quoin QS 385



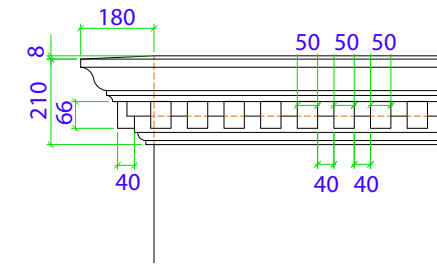
## Standard and bespoke Gable and Dental Profiles, Corbels, Keystones, and Wall vents

Whilst at Unitex® we hold limited stock in this range, we are the Australian leader in these custom-made decorative features. For a more comprehensive list of the many choices available, go online to [www.unitex.com.au](http://www.unitex.com.au).

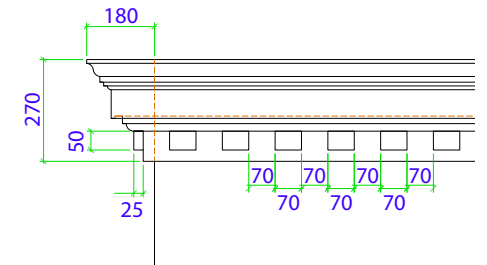
Dental Profile DP3193



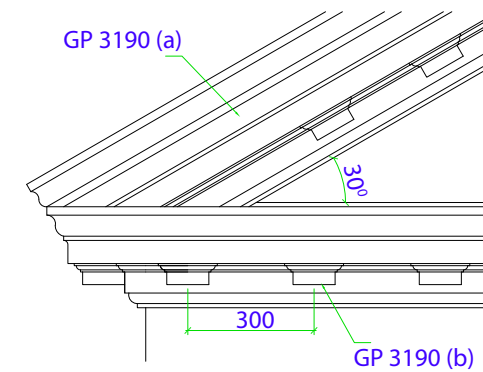
Dental Profile DP3191



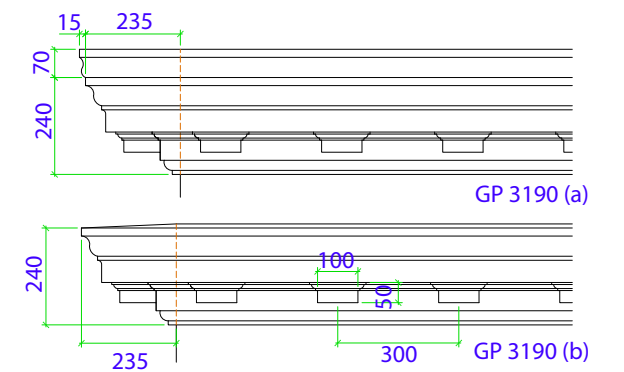
Dental Profile DP3192



Gable Mould



Gable Profile GP3190a & GP3190b



Corbel 1



Corbel 2



Corbel 3



Corbel 4



Corbel 5



Keystone K21



Keystone K23



Keystone K28



Keystone K29



Wall Vent Full Circular



Sub Floor Vent 1



Sub Floor Vent 2



Sub Floor Vent 3



Sub Floor Vent 4



## Product

As the Australian originator of this type of light-weight concrete product, Unitex® has designed and perfected installation and fixing methods which must be followed to ensure longevity (refer to the Unitex® Application and Fixing Guide). The fine detail that can be provided with the Unitex® Uni-Shape Mouldings and Columns, coupled with their ease of handling & installation, makes these Unitex® products an Architect, Designer and Builder's first choice product.

## Delivery

Unitex® Standard Mouldings are supplied in 2.4 and/or 3m lengths and are supplied on 3.2m long Unitex® specially designed pallets. For bespoke items of varying lengths, Unitex® can re-design over length product to be supplied in manageable lengths and assembled on site.

Preferable site unload is via fork truck but can also be hand offloaded. Storage onsite is essential on concrete floor, or level ground, and to be left undisturbed until installation.

All Unitex® fixings, patching, levelling accessories, and flexible mastics must be ordered and delivered with the Uni-Shape Mouldings and Columns to ensure your installer complies with the Unitex® installation product guidelines.

For out of stock and bespoke Unitex® Mouldings and Columns allow (in Summer months) 4-6 weeks for design, manufacture, drying and cement cure. In the Winter months, allow 6-8 weeks as a general rule of thumb.

## Care for your Unitex® Mouldings and Columns

After installation, Unitex® Mouldings and Columns need to be painted to the colour of your choice using Unitex® Uni-PTC. This will ensure uniform colour integrity and protection. As all moulded profiles project from the surface to which they are attached, in dusty conditions they can collect dirt, dust and grime from the atmosphere. If dirt and dust are left insitu they can become seed-beds for mould growth, so it is advised to bi-yearly hose down possible dust and dirt affected areas.

In such environments, Unitex® advises Architects and Designers to specify moulds and sills with minimum 8-10° fall. This allows some self-cleaning (with rain).

Should your Unitex® Mouldings and Columns be damaged from onsite abuse after installation they can be easily patched with Unitex® Patching Compound (UPC200).

## Customer Support

Unitex® experienced Technical Sales Representatives are constantly advising at design stage and on site with our Builders and Installers. Most of the award winning and prestigious residences and commercial buildings throughout Australia are enhanced with Unitex® Façade Mouldings and Columns.

Unitex® in-house experienced CAD Design Specialist is seen as industry best practice and is an invaluable resource to the Unitex® customer.

To contact the Unitex Technical Sales Representative and CAD Design Specialist please telephone Unitex on +61 (0)3 9768 4900 or email [sales@unitex.com.au](mailto:sales@unitex.com.au).

## Specifier's Clause

Unitex® Uni-Shape Architectural Mouldings and Columns shall be manufactured as designed, supplied, and installed as per the manufacturer's instructions. The manufacturer shall be Unitex® Granular Marble Pty Ltd. Contact by phone on +61 (0)3 9768 4900 or online at [www.unitex.com.au](http://www.unitex.com.au) or [www.render.com.au](http://www.render.com.au).

Available from:

For a FREE sample contact us or visit [unitex.com.au/specify](http://unitex.com.au/specify)

Head Office  
Phone: (03) 9768 4900

Unitex Render Warehouse  
Phone: 1800 RENDER  
[www.render.com.au](http://www.render.com.au)

NSW Office  
Phone: (02) 9838 0911

