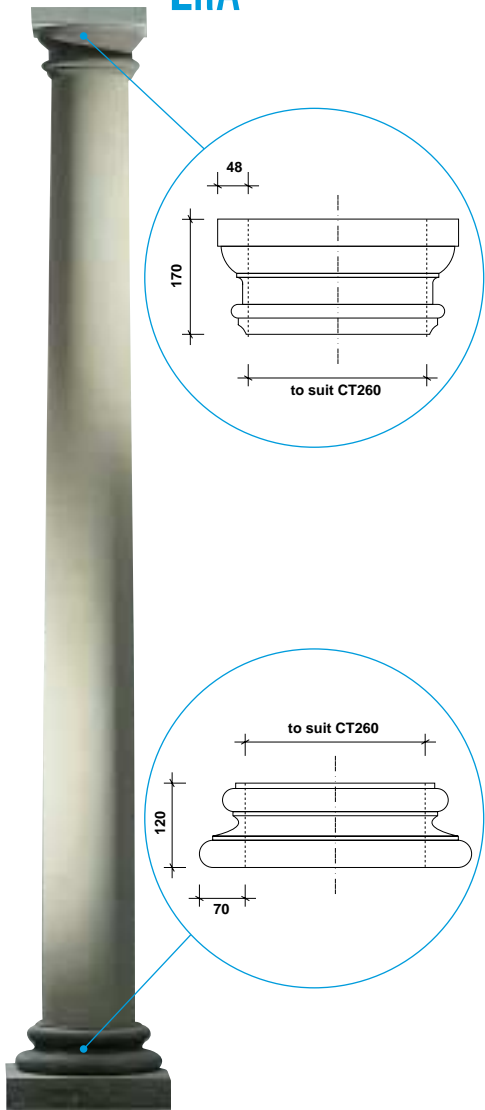


# Uni-Shape Architectural Columns

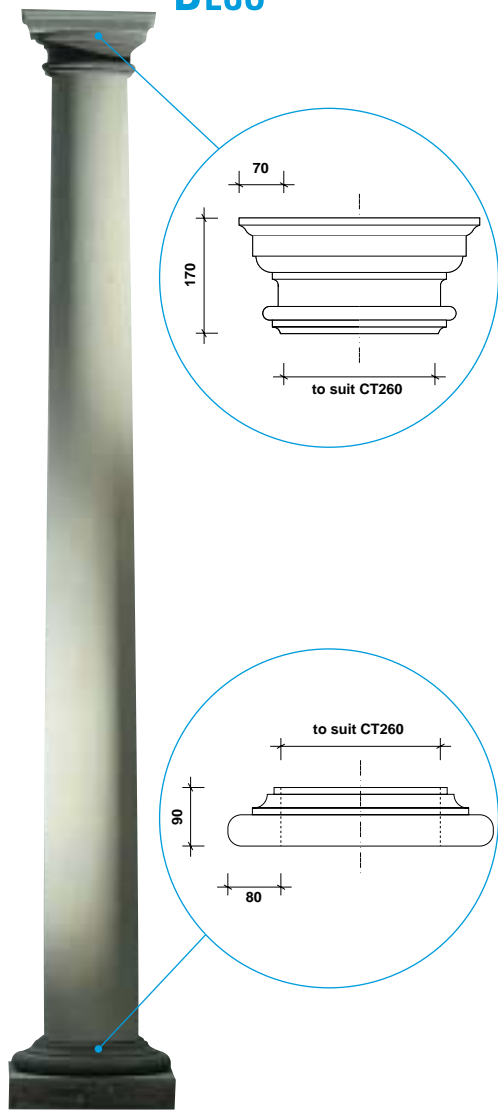


Uni-Shape® Architectural Columns are made from a lightweight centre with a reinforced coating of pure resins and cementitious minerals. Strong but lightweight our columns are easy to install in both load bearing and non-load bearing applications. Available in three new designs ERA, DECO and TEMPO. Uni-Shape Architectural Columns arrive on-site ready to use in the standard sand finish.

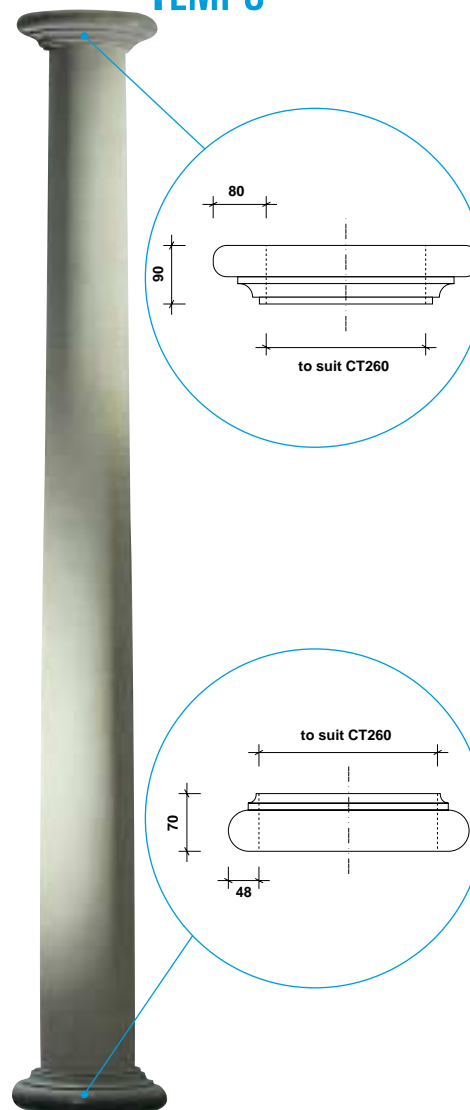
# ERA



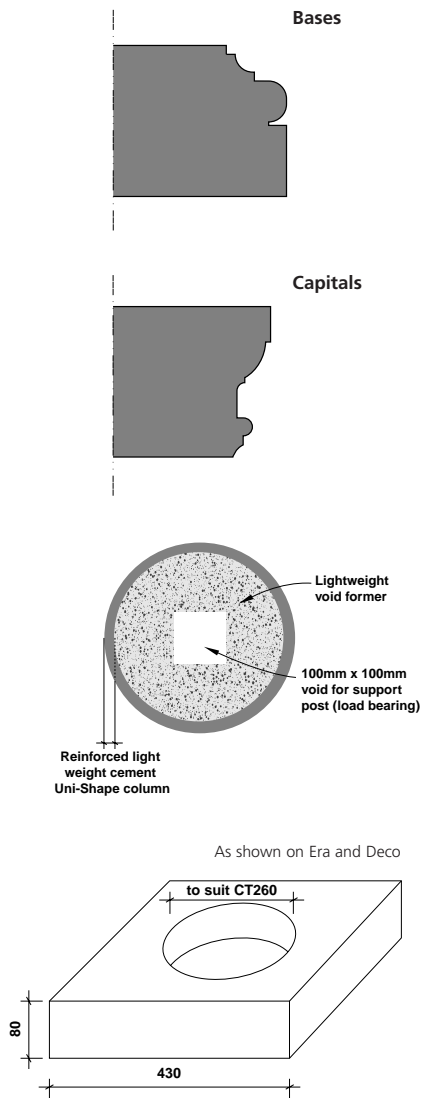
# DECO



# TEMPO



## Cross-section details



Tapered (CT)				
Product Code	Bottom dia (mm)	Top dia (mm)	Mass approx (kg/m)	Lengths (m)
CT 260	260*	210*	11	3.0

\* Internal void 100mm x 100mm. Specialty columns available on request.  
 Note: Uni-Shape Architectural Columns, Capitals and Bases arrive separate and ready to assemble. The Columns are generally painted on-site to suit colour scheme by builder. Mechanical Fixing and Mastic sold separately.

www.**unitex**.com.au

The information contained in this document is based on data available at the time of writing, which we believe is accurate and reliable. Unitex reserves the right to change the information without prior notice.

**Unitex Granular Marble Pty. Ltd.**  
 22 Park Drive, Dandenong,  
 Victoria, 3175 Australia

Telephone: (03) 9768 4900  
 Facsimile: (03) 9768 4999  
 International: (61 3) 9768 4900  
 Facsimile: (61 3) 9768 4999

**State Franchises**  
 SA Ph: (08) 8262 7900  
 WA Ph: (08) 9248 8788  
**Branches**  
 NSW/QLD Ph: (02) 9838 0911

**AVAILABLE FROM:**

**Unitex**®

Changing the face of the building industry